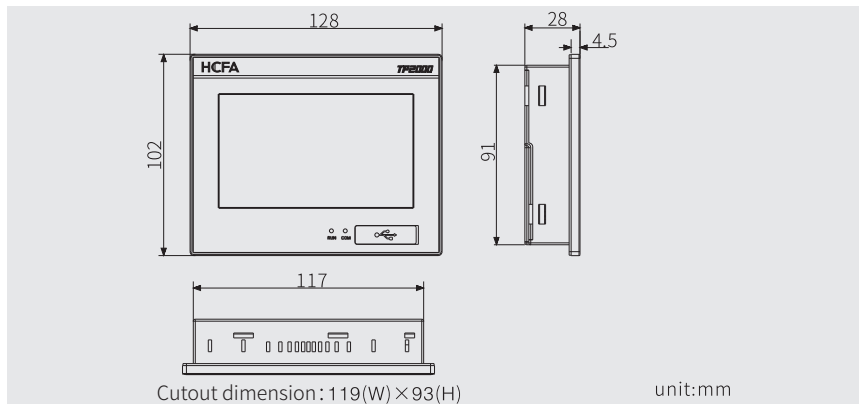
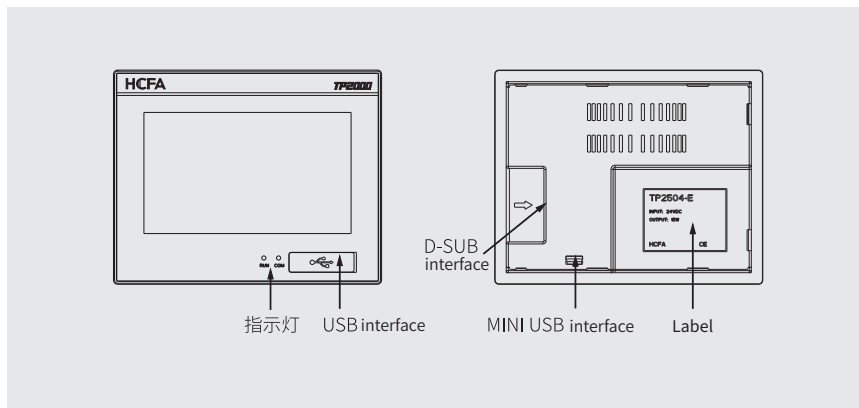


Appearance size



Spare parts name



Appearance size

Parameter	TP2504-E
Color display	24bit
Ethernet	✓
SD card	✗
USB HOST	✓
USB DEVICE	✓
COM1/COM3	✓
COM2/COM4	✗

Isolated power supply	Non-isolated power supply
Surge protection	Surge protection

Appearance size

Electrical specification	Hardware specification
Power Consumption <5W	Display 4.3" TFT LCD
Rated voltage 24VDC, Input Range: 18V~28VDC	Resolution 800×480
Power protection Non-isolated power supply, Protect from surging and thunder strike	Color 24bit
Allowable momentary power-off <5mS	Brightness 300 cd/m ²
CE Complied with EN61000-6-2:2005, EN61000-6-4:2007	Backlight LED
RoHS Surge Immunity ±4KV, EFT: ±4KV, ESD: 4KV, Air: 8KV	LCD lifetime 50000 hours

Electrical specification	Hardware specification
Operation Temperature 0~50°C	Touch Panel 4 wire resistive touch panel(Surface hardness 4H)
Storage Temperature -20~60°C	CPU 600MHz ARM Cortex A8
Operation Humidity 10~90%RH(Without condensation)	Memory 128M Flash + 128M DDR3
Vibration Resistance 10~25Hz (2G/30min in X,Y,Z direction)	RTC Built in real-time clock
Cooling Natural air cooling	Ethernet 10M/100M Ethernet port

Others	Accessories
Protection Level Front IP65(With NEMA Panel), Back IP20	TP16-PLC-R4-8P-3M Communication line between TP2000 series HMI and HCFA PLC, RS422, Round 8PIN, 3M
Housing Material PBT+PC	
Cutout Dimension 119×93 (mm)	
Dimension 128×102×28 (mm)	
Weight About 260g	

COM port COM1/COM2: RS232/RS485/RS422; COM3/COM4: RS232

Program Download USB Host/ USB Slave/ SD card/ Ethernet are provided.

USB Port 1个USB Device 2.0 Ethernet port 1个USB Host 2.0